

TDHM

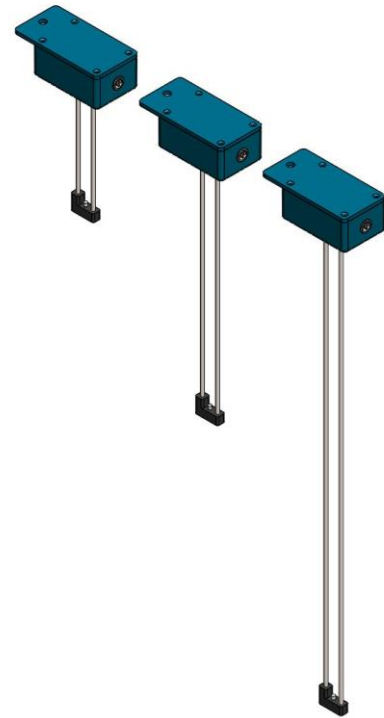
Wave transmitter

Ref : 4207

Rev : A

DESCRIPTION

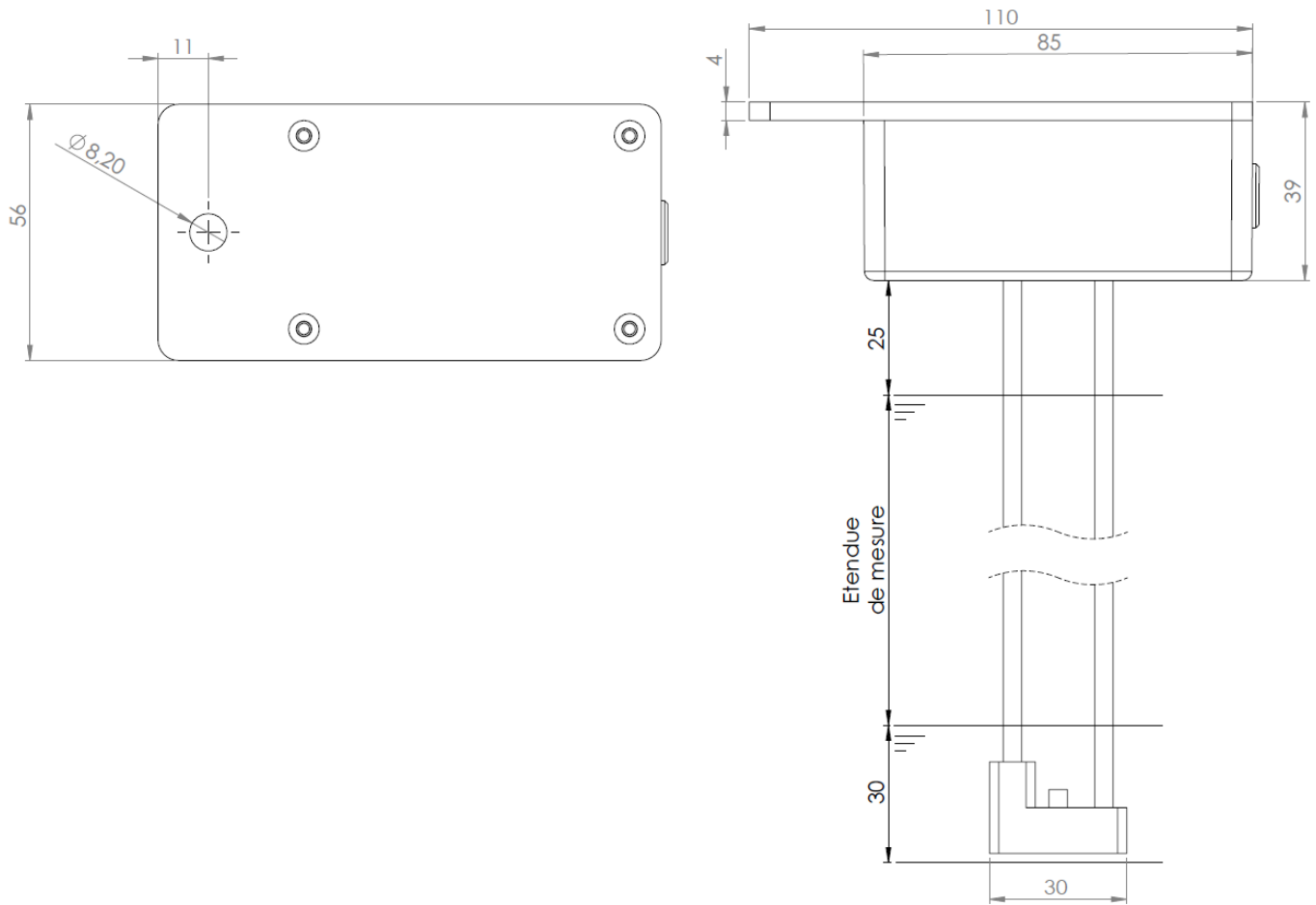
Intended to measure rapid **variations in water level**, this wave transmitter delivers a precise analog signal. It is particularly used in hydraulic testing laboratories to study and model wave physics. The conductance between the electrodes is linear with the height of immersion in the resistive liquid (water). The device includes a compensation electrode, always submerged, which makes the wave transmitter insensitive to variations in conductivity linked to the temperature water. Available in predefined lengths and with a 5-15mA output signal, these features are customizable to your application.



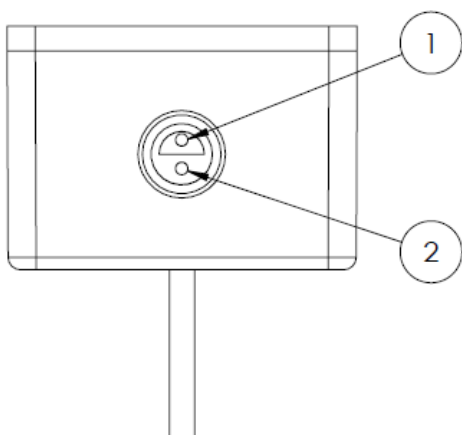
TECHNICAL CHARACTERISTICS

PARAMETERS	VALUES	COMMENTS
Measurement range	from 100 to 1200mm	Other lengths on request
Supply	12 to 28 VCC	
Output signal	Boucle de courant 5/15mA	Adjustable on request
Sensibility	TDHM500 : 0,02mA/mm \pm 1%MR (measurement range)	
Linearity	< 2 %EM	
Temperature drift	< 0.15%/°C (de 10 à 40°C)	
Bandwidth	0 to 60Hz at -3dB	
Minimum immersion height	30mm	
Output connector	LEMO 1S - 2 connections	
Matière des électrodes	Stainless steel	
Box material	ABS	

DIMENSIONS



WIRING



PIN	SIGNAL
1	LOOP +
2	LOOP -

ORDER INFORMATIONS

TDHM

**Measurement Range****100** : 100mm**250** : 250mm**500** : 500mm**800** : 800mm**1000** : 1000mm**1200** : 1200mm

Other lengths on request

Example : **TDHM500**

– Measurement range : 500mm

CONTACT DETAILS

G.R.D.I.A MESUREX

13 Rue des Corroyés

78730 Saint Arnoult en Yvelines

Tel : +33 (0) 1 30 41 23 62

Fax : +33 (0) 1 30 41 23 80

Email : mesurex@mesurex.fr