

PXC/C Series

Miniature Pressure Sensor

Ref : 108

Rev : B



DESCRIPTION

These miniature pressure sensors are especially designed for static as well as dynamic pressure measurements in corrosive condition.

Entirely made of stainless steel, these levelling membrane sensors are compatible with a great number of corrosive or conducting fluids. An integrated electronics makes it possible to deliver an analogical tension signal.

MEASURING RANGES

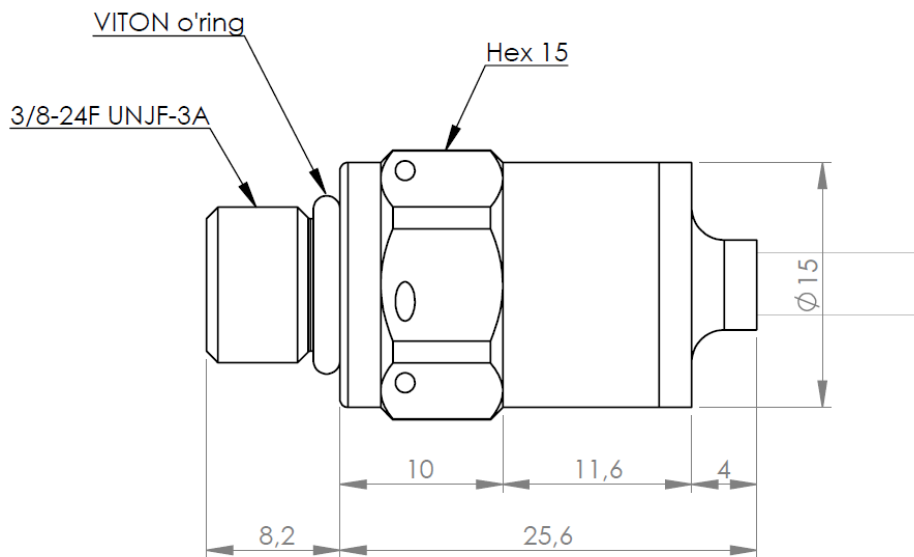
PRESSURE RANGE (FS in PSI)	PRESSURE RANGE (FS in BAR)	MAX OVER PRESSURE	ZERO OFFSET AT 20°C	OUTPUT FS	LINEARITY & HYSTERESIS	THERMAL ZERO SHIFT / 60°C	THERMAL SENSITIVITY SHIFT / 60°C
1 000	70	1.5x FS	50 ± 50mV	4.9Vdc ±50 mV	± 0.25% FS	< ±1% FSO	< ±1%
1 500	100	1.5x FS	50 ± 50mV	4.9Vdc ±50 mV	± 0.25% FS	< ±1% FSO	< ±1%
2 000	140	1.5x FS	50 ± 50mV	4.9Vdc ±50 mV	± 0.25% FS	< ±1% FSO	< ±1%
3 000	200	1.5x FS	50 ± 50mV	4.9Vdc ±50 mV	± 0.25% FS	< ±1% FSO	< ±1%
5 000	350	1.5x FS	50 ± 50mV	4.9Vdc ±50 mV	± 0.25% FS	< ±1% FSO	< ±1%
7 500	520	1.5x FS	50 ± 50mV	4.9Vdc ±50 mV	± 0.25% FS	< ±1% FSO	< ±1%
10 000	690	1.5x FS	50 ± 50mV	4.9Vdc ±50 mV	± 0.25% FS	< ±1% FSO	< ±1%

TECHNICAL DATA

PARAMETERS	VALUES	NOTES
Pressure type	Absolute, Sealed	
Repeatability	± 0.2% of FS	
Operating temperature	-40°C to +125°C	
Compensated temperature	-40°C to +60°C	
Supply	13/32Vdc	
Electrical input	< 20 mA	
Electrical output	1 kΩ nom.	
Insulation	> 1000MΩ / 50Vdc	
Cable	Shielded cable	4 Teflon wire (AWG 26). 2 meters standard
Bandwidth	4.5 kHz	-3dB
Mechanical connection	3/8-24f UNJF-3A	
Seal	Viton O-ring	7.65x1.63 65 Shore
Index of protection	IP 65	Option IP 67
Special options		Consult us

SIZE

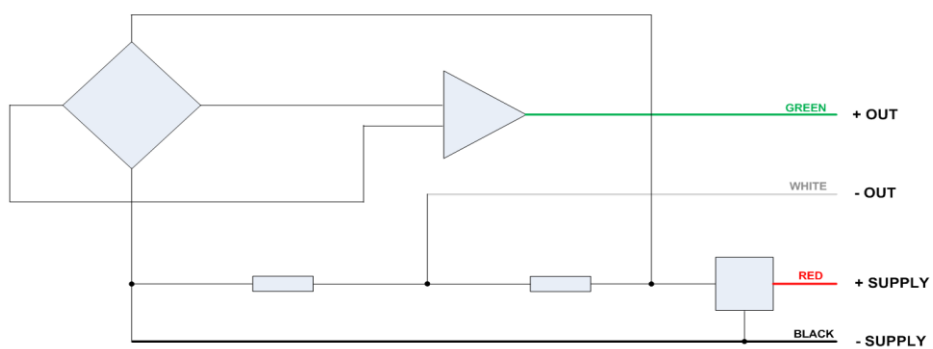
P-XCC—P5V/C



Mounting torque : 4 Nm (max : 10 Nm)

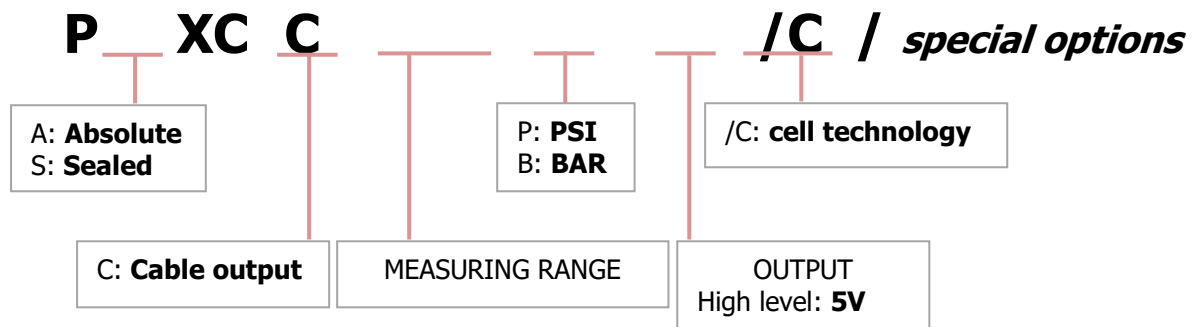
WIRING

P-XCC—P5V/C



Note: + 2 V nom. common mode output voltage referred to -Exc

ORDERING INFORMATION



• **Special options**

OPTION	REFERENCE	FEATURES
Cable length (2m standard)	LXXM LXXF	xx = Length in meters (M) xx = Length in feet (F)
Index of protection	None 67	IP 65 (Standard) IP 67

- Example: **PAXCC7.5KP5V/C**
- Pressure type : Absolute
 - Pressure range : 0-7500 PSI
 - Cable output : 2 meters length
 - Output : 0.05-4.9V
 - Thread : 3/8
 - Cell Technology

CONTACT

MESUREX
13 Rue des Corroyés
78730 Saint Arnoult en Yvelines (France)

Tel : +33 (0) 1 30 41 23 62
Mail : mesurex@mesurex.fr
Web : www.mesurex.fr