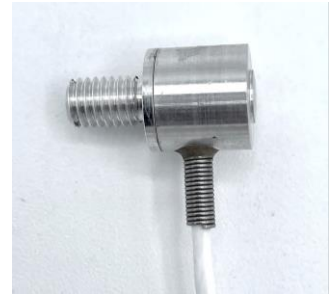


FC 2068 Series

Compression load sensor

Ref : 4204

Rev :



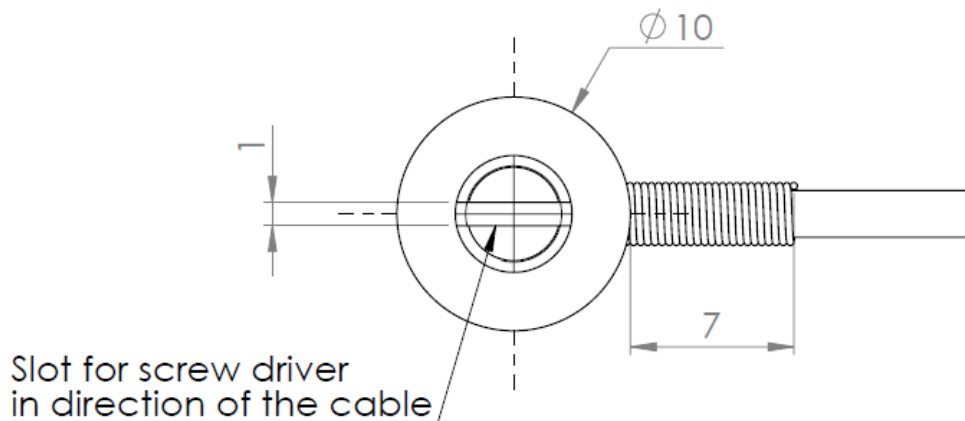
DESCRIPTION

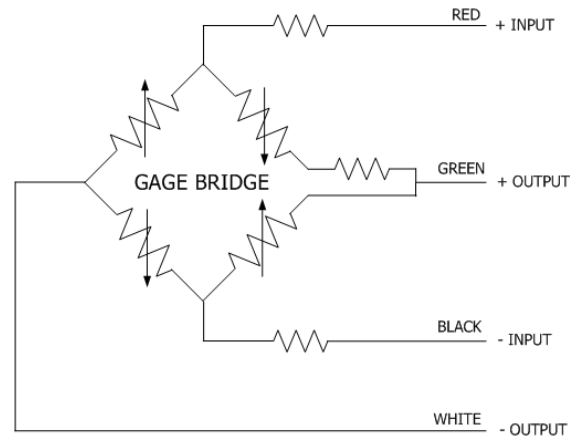
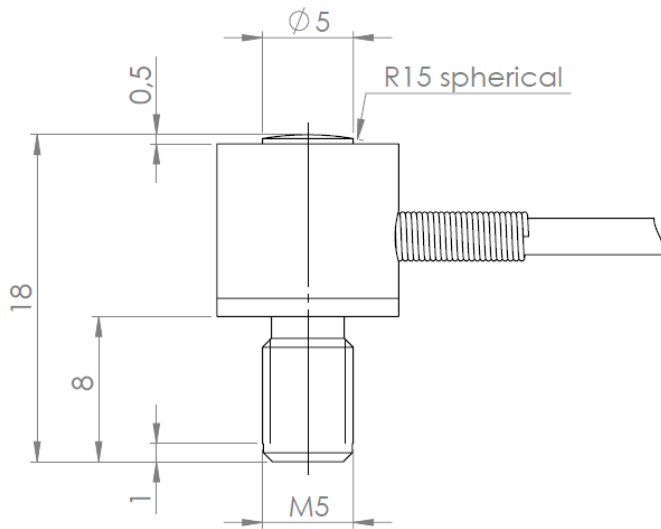
This type of very high capacity sensor is intended for use in compression. The inner diaphragm allows accurate measurement from semi gauges. This miniature and compact product is very easy to install with its fixing screw equipped with a notch.

TECHNICAL CHARACTERISTICS

PARAMETERS	VALUES	NOTES
Measuring range (FSO)	10-20-50-100-200 N	Overload max. : 4 x FSO (10N-50N) Overload max. : 3 x FSO (100N-200N)
Material	10 - 50N Aluminium AU4G T4 100 - 200 N Stainless steel Z8 CND17	
Excitation	1 - 15 Vdc (10 Vdc recommended)	
Operating temperature range	-20°C to 80°C	
Compensated temperature range (CTR)	0°C à 60°C standard	
Zero shift within CTR	< 2% FSO / 50°C	
Sensitivity within CTR	< 2% of reading / 50°C	
Linearity + Hysteresis	± 0.5% FSO	
Signal output at full scale	150 mV (15 mV/V) ^o	
Zéro offset	± 10 mV	
Insulation at 50Vcc	> 100 MΩ	
Output	PFA cable (1m standard) Ø2mm - 4 conductors Reinforcing spring	Customized length (option)
Calibration	Compression	(option)
Protection	IP50	

DIMENSIONS AND CABLING





CONTACT

MESUREX

13 Rue des Corroyés
78730 Saint Arnoult en Yvelines (France)

Tel : +33 (0) 1 30 41 23 62

Mail : mesurex@mesurex.fr

Web : www.mesurex.fr