

FTCP Series

Force Sensor Tension/Compression

Ref : 3100

Rev : D



DESCRIPTION

The FTCP load cell is a compact sensor able to fit into many applications. Choose the FTCP force sensor for its compact design, high stiffness, and resolution. It is provided with metric threads for tension and compression applications. It should not be used with off-axis loads.

The FTCP provides low full scale input deflection and high resolution, offering basically unlimited cycle life expectancy. The FTCP can be configured with several options to best apply your application.

MESUREX is a sensor manufacturer. We can adapt most sensors to your needs. Please [contact us](#).

MEASURING RANGES

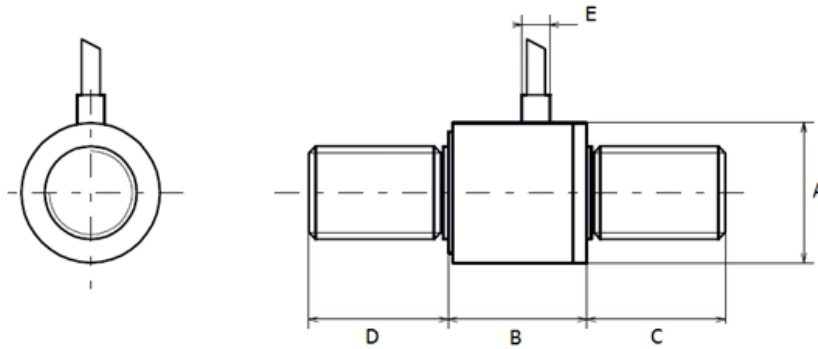
F.S. Ranges in N	1,000	2,500	5,000	10,000	25,000	50,000
F.S. Ranges in lbf	200	500	1,000	2,000	5,000	10,000
Max over range	1.5 x FSO	1.5 x FSO	1.5 x FSO	1.5 x FSO	1.5 x FSO	1.5 x FSO
Thread	M10x1.5	M10x1.5	M10x1.5	M16x2	M16x2	M20x2.5
Output FSO nom.	200 mV	200 mV	200 mV	200 mV	200 mV	200 mV

TECHNICAL CHARACTERISTICS

PARAMETERS	VALUES
Supply Voltage	15 Vdc
Input Resistance	1500 Ω nom.
Output Resistance	500 Ω nom.
Combined non-linearity & hysteresis	$\pm 0.5\%$ FSO
Thermal Zero Shift	$\pm 0.02\%$ FSO / $^{\circ}$ C
Thermal Sensitivity Shift	$\pm 0.05\%$ / $^{\circ}$ C
Operating Temperature	- 20 $^{\circ}$ C to 80 $^{\circ}$ C
Compensated Temperature	20 $^{\circ}$ C to 80 $^{\circ}$ C
Zero offset at 23 $^{\circ}$ C	± 10 mV typ.

SIZE

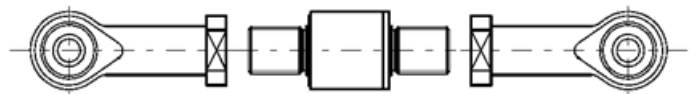
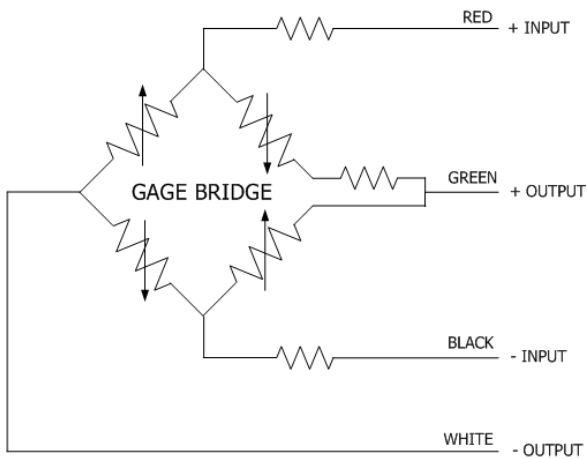
FTCP



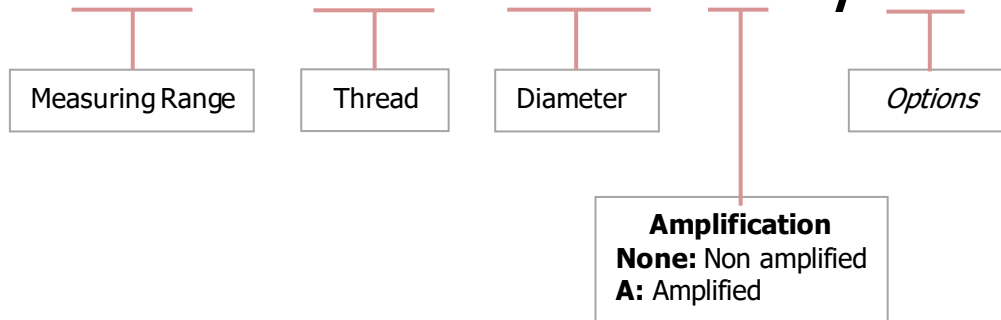
	A	B	C	D	E
FTCP5KNM10-15	∅15	15	15	15	∅3
FTCP25KNM16-25	∅25	25	25	25	∅3
FTCP50KNM20-35	∅35	35	30	30	∅5

WIRING

INSTALLATION



ORDERING INFORMATION

FTCP

- **Special references**

OPTION

Cable length
Compensated temperature ranges

FEATURES

Length in meters (M) or feet (F)
-40°C to 20°C
-20°C to 40°C
0°C to 60°C
-40°C to 150°C (on request)

Supply voltage

From 1 to 14Vdc (at less than 15Vdc, sensitivity decreases proportionately)

Connector wired to cable

Binder 711 series 5 contacts

Example: **FTCP1KNM10-15 / 25M**

- Dimension: \varnothing 15
- Measuring Range: 5000 N
- Thread: M10
- Cable length: 25 meters

CONTACT

MESUREX

13 Rue des Corroyés
78730 Saint Arnoult en Yvelines (France)

Tel : +33 (0) 1 30 41 23 62

Mail : mesurex@mesurex.fr

Web : www.mesurex.fr