

FTN3000 heavy loads series

Tension/compression force transducer - pancake type

Réf : 4033

Rev : A



DESCRIPTION

The **FTN3000 series** load cells are particularly robust and accurate. The internal mechanical structure makes this sensor insensitive to transverse forces. They are particularly suitable for test benches, dynamic applications such as assembly processes or presses.

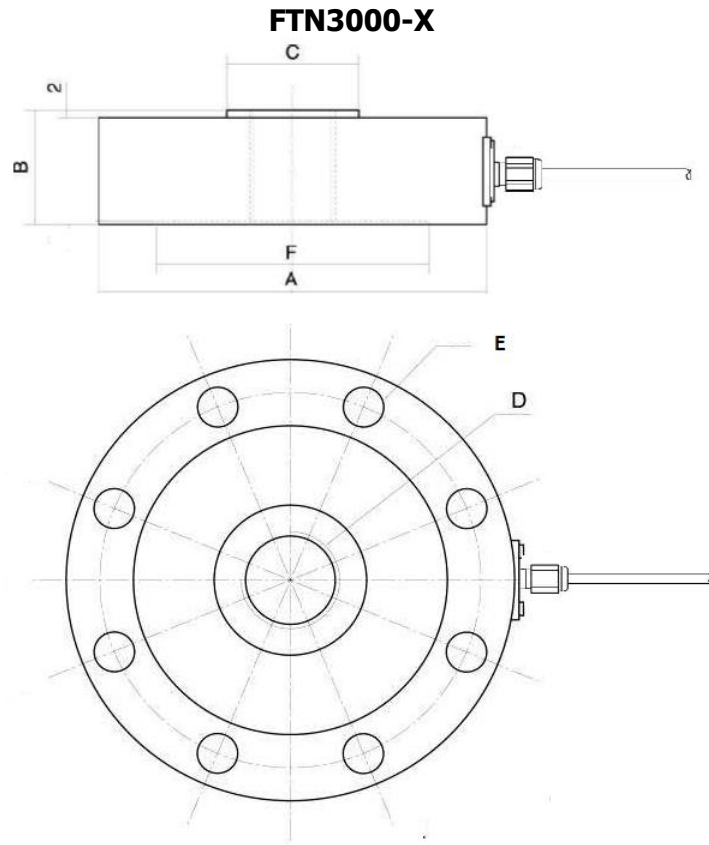
MEASURING RANGE (FS)

Measuring range (in KN)	10KN	25KN	50KN	100KN	200KN	500KN	1000KN
Max. overload	1.5x FS	1.5x FS	1.5x FS	1.5x FS	1.5x FS	1.5x FS	1.5x FS
Construction material	AU4G T4	Z8	Z8	Z8	Z8	Z8	Z8

TECHNICAL CHARACTERISTICS

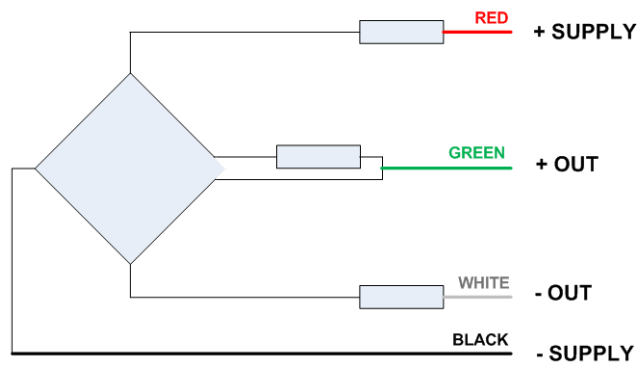
PARAMETERS	VALUES	NOTES
Power supply	10 Vcc	typical
Operational temperature	-20°C to 80°C	
Storage temperature	-30°C to 85°C	
Compensated temperature	0°C à 60°C	standard
Linearity / hysteresis	0.1% / 0.1%	
Entry impedance	700 Ω	
Exit impedance	700 Ω	
Signal at FS	2.0mV/V	
Output	2m-lon cable	Connector optional
Calibration	Tension / compression	Optional
Protection standard	IP 50	

DIMENSIONS



	10KN	25KN	50KN	100KN	200KN	500KN	1000KN
A	100			150		195	272
B	30			40		60	80
C	34			65		87	120
D	M20x1.5			M32x2		M56x2	M80x3
E	8x8.2 sur Ø85 à 45°			12x10.4 sur Ø125 à 30°		16x16.2 sur Ø169 à 22.5°	16x24.5 sur Ø229 à 22.5°
F	70			100		143	186

CABLING



ORDER INFORMATION

FTN3000 **XXKN** - **XX**

Measuring range
10KN / 25KN / 50KN / 100KN
/ 200 KN / 500 KN / 1000 KN

Special options
See below

- **Special options**

OPTION	INDICATION
Cable length	Length in meters (M)
Calibration	
Compensation temperature	0°C to 60°C STANDARD
Compensation temperature C1	-40°C to 90°C
Compensation temperature C2	+20°C to 120°C
Compensation temperature C3	+20°C to 150°C

Example: **FTN3000-20KN-L5M**

- Measuring range: 20 000 N
- Cable length: 5 meters

CONTACT

MESUREX

13 Rue des Corroyés
78730 Saint Arnoult en Yvelines (France)

Tel : +33 (0) 1 30 41 23 62

Mail : mesurex@mesurex.fr

Web : www.mesurex.fr