

-DPLVDT Series

LVDT displacement transducer

Ref : FP 4002

Rev :



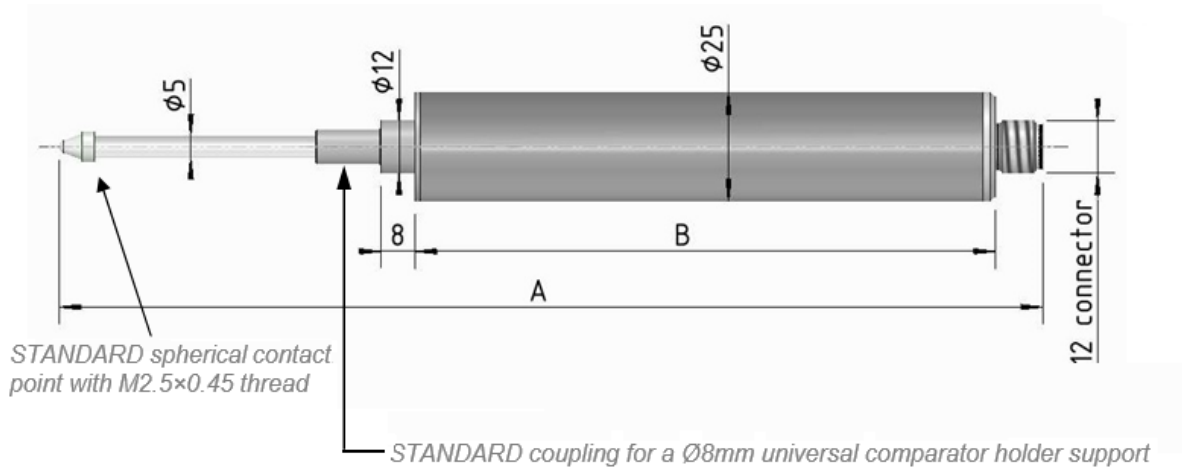
TECHNICAL CHARACTERISTICS

NOMINAL DISPLACEMENT	5 , 10, 25, 50, 100, 200 mm
NOMINAL SENSITIVITY	2mV/V
SENSIVITY TOLERANCE	$\leq \pm 0.1\%$ F.S.
LINEARITY	$\leq \pm 0.10\%$ F.S.
TEMPERATURE EFFECT (1 °C)	
a) on zero	$\leq \pm 0.010\%$ F.S.
b) on sensitivity	$\leq \pm 0.005\%$ F.S.
BRIDGE RESISTANCE	350 Ω
INSULATION RESISTANCE	> 5 G Ω
ZERO BALANCE	$\leq \pm 0.5\%$ F.S.
RECOMMENDED SUPPLY VOLTAGE	10 V
NOMINAL SUPPLY VOLTAGE RANGE	1-15 V
MAXIMUM SUPPLY VOLTAGE	18 V
REFERENCE TEMPERATURE	+23°C
WORKING TEMPERATURE	-10/+70°C
STORAGE TEMPERATURE	-20/+80°C
WEIGHT	~ 0.150 to ~0.300 kg
SPRING FORCE	from 2 to 4 N
PROTECTION CLASS (EN 60529)	IP40
MATERIAL	Stainless Steel
ELECTRICAL CONNECTION	M12 4 poles male connector

OPTIONAL

NOMINAL SENSITIVITY NOMINAL POWER SUPPLY	0.5 – 5.5 Vdc
MAX. POWER SUPPLY	12-24V
MAX. ABSORPTION	28V
LOADING RESISTANCE	20mA
INSULATION RESISTANCE	min. 3K Ω
ZERO BALANCE	>2 G Ω
RESPONSE FREQUENCY	$\leq \pm 0.5\%$
	150 Hz
Shield cable PVC with M12 connector molded 4 poles.	3 m

DIMENSIONS



ELECTRICAL CONNECTIONS

<p>STANDARD Connector M12</p> <p>2mV/V</p>	<p>Cable + molded M12 (option)</p> <p>2mV/V</p>
<p>Connector M12 (option)</p> <p>5Vdc</p>	<p>Cable + molded M12 (option)</p> <p>5Vdc</p> <p>SHIELD connected to lock nut</p>

CONTACT

MESUREX
 13 Rue des Corroyés
 78730 Saint Arnoult en Yvelines (France)

Tel : +33 (0) 1 30 41 23 62
 Mail : mesurex@mesurex.fr
 Web : www.mesurex.fr