

# P-M8X1 Series

## Miniature Pressure Transmitter

Ref: 4032

Rev:



## DESCRIPTION

This miniature pressure sensor is designed to perform static and dynamic measurements in a corrosive environment. The internal cell sensor is compatible with a large number of corrosive or conducting fluids. As option we can propose an integrated electronic system enables to deliver an analogical tension signal. First sensor is given for 0 to 1 bar but we can extend to more than 100 bar depending of the application

MESUREX is a sensor manufacturer. We can adapt most sensors to your needs. Please [contact us](#).

## TECHNICAL CHARACTERISTICS

Parameter	Min.	Typ.	Max.
Pressure, measuring range <sup>(1)</sup>	0 bar g	-	1 bar g
Pressure overload (rated) <sup>(2)</sup>	-	-	2x
Pressure, burst (rated) <sup>(3)</sup>	-	-	3x
Accuracy <sup>(4)</sup>	-0.2 (%FS)	-	0.2 (%FS)
Thermal shift, zero	-0.03 (%FS / °C)	-	0.03 (%FS / °C)
Thermal shift, sensitivity	-0.02 (% / °C)	-	0.02 (% / °C)
Long term stability	-	0.2 (% FS / year)	-
Output signal, zero	-5 mV	0	5 mV
Output signal, full scale	90 mV	100 mV	110 mV
Power supply UB	-	10 VDC	15 VDC
Input impedance	10 kΩ	-	-
Output impedance	2.5 kΩ	3 kΩ	4.5 kΩ
Natural frequency	-	35 kHz	-
Dielectric strength <sup>(5)</sup>	100 MΩ	-	-
Pressure port	M8 x 1 male		
Dimensions	see drawing (mm)		
Wetted materials	Stainless steel 316L		
Sealing	Viton o-ring		
Electrical connection	Cable, 1 m, shielded, 4 AWG 26 wires		
Wiring	+IN (rd), -IN (bk), +OUT (wh), -OUT (bl) -		
Ingress protection rating	IP67		
Temperature, compensated	0 °C	-	60 °C
Temperature, operating	0 °C	-	100 °C
Temperature, storage	-40 °C	-	150 °C
Label Serial number	(Laser engraved / electro-etched)		
Weight (incl. cable)	-	-	40 g

(1) Maximum measuring range equals rated pressure range

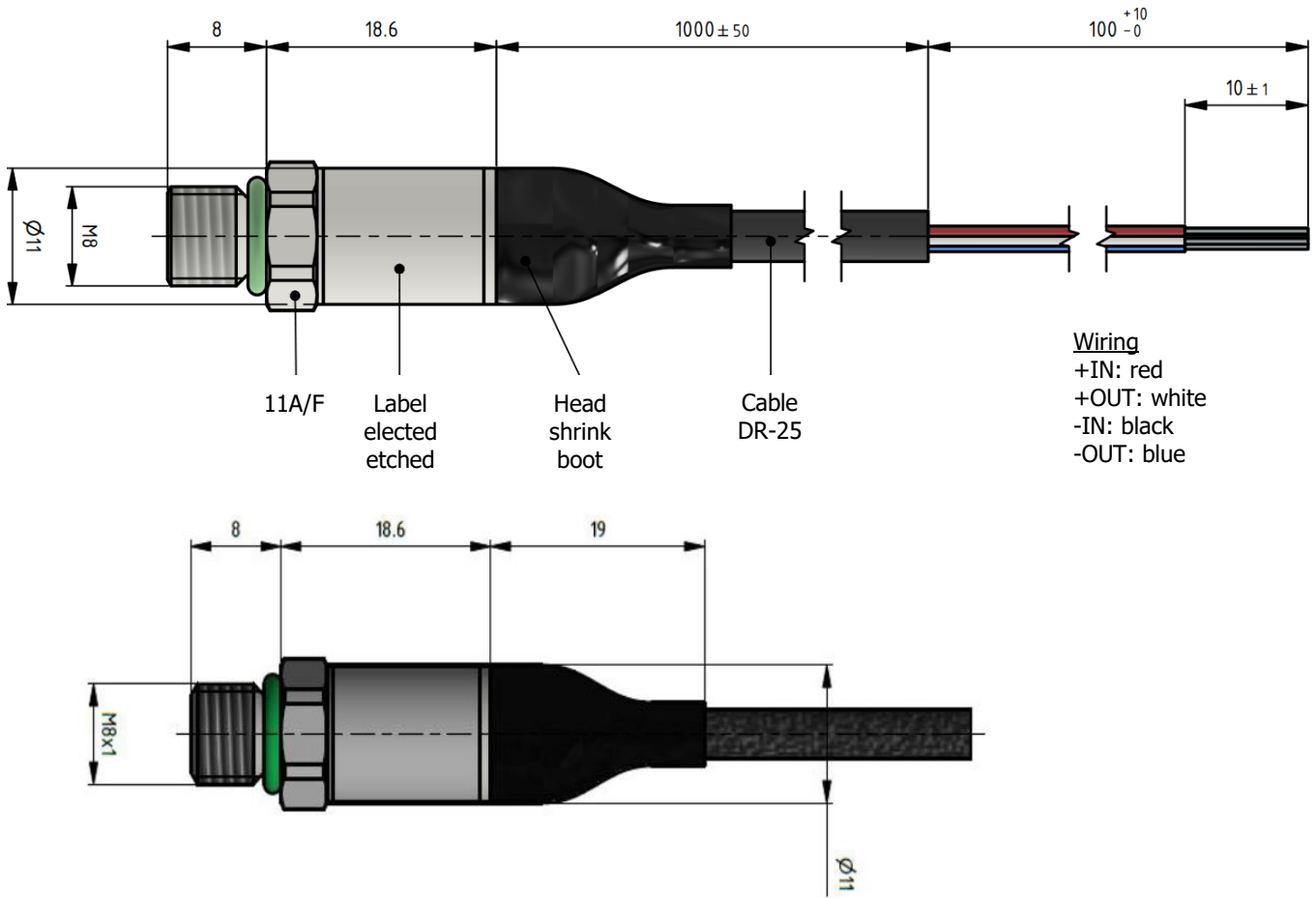
(2) Maximum pressure that can be applied without changing the devices performance

(3) Maximum pressure that can be applied without rupture of either transmitter or transducer

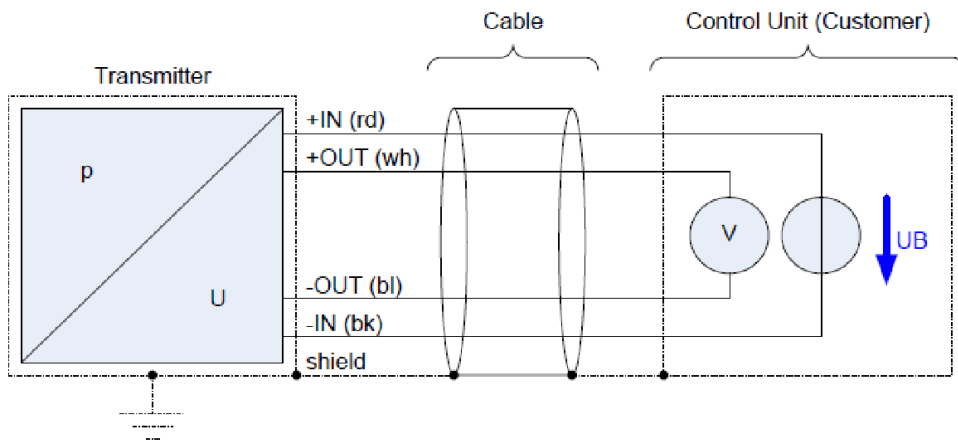
(4) Including non-linearity, hysteresis, repeatability and setting errors at ambient temperature (25 °C)

(5) Measured at 50 VDC

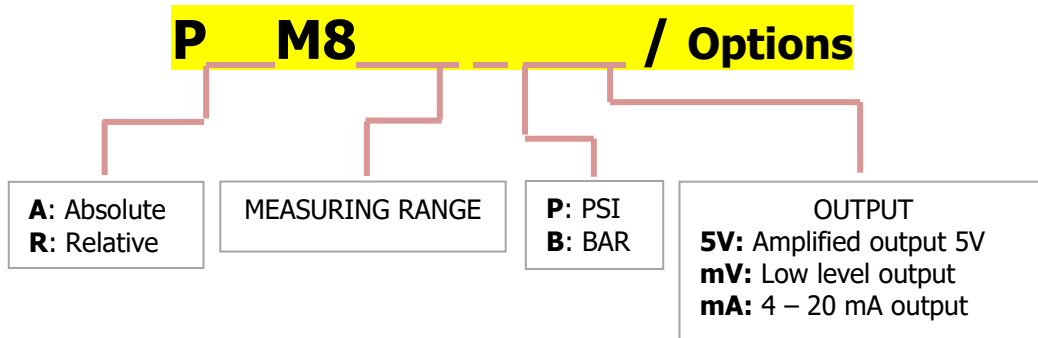
DIMENSIONS (in mm)



WIRING



## ORDERING INFORMATION



## CONTACT

**MESUREX**

13 Rue des Corroyés

78730 Saint Arnoult en Yvelines (France)

Tel : +33 (0) 1 30 41 23 62

Fax : +33 (0) 1 30 41 23 80

Mail : [mesurex@mesurex.fr](mailto:mesurex@mesurex.fr)