

# TRP27 Series

## Compact differential pressure transmitter

Ref : 2847

Rev : B



## DESCRIPTION

The TRP27 differential pressure sensor is a compact, simple and accurate instrument designed for basic applications of the pressure measurement (such as air conditioning and ventilation technologies).

It is characterized by very low values for hysteresis, temperature influence or zero drift. In addition to conventional differential pressure measurements, the TRP27 records negative and positive overpressures. A zero-point calibration via an external signal reduces maintenance costs.

An integrated adapter for DIN rails allows the TRP27 to be mounted in a control cabinet, without the need for additional accessories.

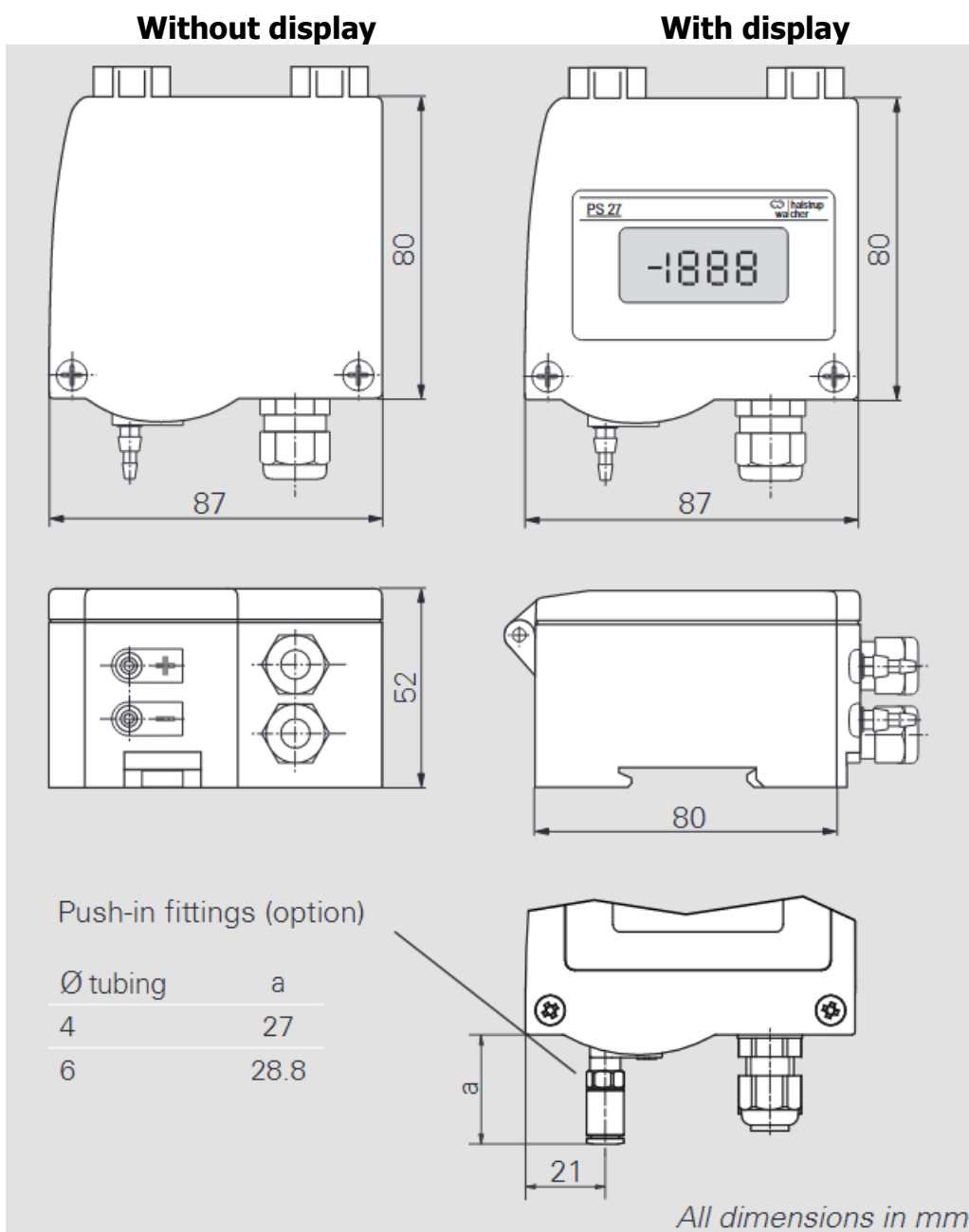
With the output switchable signal, a visual or audible alarm can be triggered as soon as the values fall above or below a configurable limit.

## TECHNICAL CHARACTERISTICS

PARAMETRES	VALUES
Measuring range	50 / 100 / 200 / 500 Pa 1 / 2.5 / 5 / 10 / 20 / 50 / 100 kPa
Type of pressure	Differential
Measuring accuracy	± 2 % of the set value for measuring ranges ≥ 100 Pa Or ± 3 % of the set value for measuring ranges < 100 Pa
Temperature coefficient span	Max. 0.1 % FS / K
Temperature coefficient zero point	Max. 0.1 % FS / K
Overpressure limit	50 kPa for pressure ranges ≤ 2 kPa 200 kPa for pressure ranges > 2 kPa
Medium	Dry air, all non-aggressive gases
Max. system pressure	10 kPa
Step response time	20 ms
Time constant	20 ms ... 4 s adjustable (factory-provided)
Operating temperature	-20 ... 60 °C, with display 0 ... 50 °C
Storage temperature	-20 ... 70 °C
Power consumption	Max. 1 VA
Weight	Approx. 250 g
Cable glands	2 x M12 clamp range Ø 3 ... 6.5 mm
Protection class	IP 65
Certificates	CE / UKCA

- ✓ Compact differential pressure transmitter for basic applications of the pressure measurement
- ✓ ± measurement ranges and asymmetric measurement ranges
- ✓ Either with one fixed measurement range or toggleable between 4 different measurement ranges (can be selected via DIP switches, optional)
- ✓ Suitable for top-hat rail mounting and wall surface installation
- ✓ Direct supply with 2-wire technology (optional)
- ✓ With display (optional)
- ✓ With relay (optional)
- ✓ Plug-in pressure fittings (on request)

## DIMENSIONS (mm)



## ORDER INFORMATION

Order Code	A	B	C	D	E	F	G	H
<b>TRP27</b>	-	-	-	-	-	-	-	-
<b>Output</b> <b>A</b> → 0...10 V ( $R_L \geq 50 \text{ k}\Omega$ ) 1 → 2...10 V ( $R_L \geq 50 \text{ k}\Omega$ ) 2 → 0...20 mA ( $R_L \leq 500 \Omega$ ) 0 → 4...20 mA ( $R_L \leq 500 \Omega$ ) 4 → 0...5 V ( $R_L \geq 50 \text{ k}\Omega$ ) 5								
<b>Power supply</b> <b>B</b> → 24 VAC/DC $\pm 10 \%$ AC/DC (without galvanic separation) → 15...32 VDC ZWL 2-wire (only for A = 4)								
<b>Measuring range</b> <b>C</b> → Standard (see <i>Technical Characteristics</i> ) ... → Switchable between 100/250/500/1000 Pa 1 → Switchable between 250/500/1000 Pa/2 kPa 2 → Switchable between 1/2.5/5/10 kPa 3 → Switchable between 10/25/50/100 kPa 4								
				<b>Contact POINT</b> <b>D</b> → None 0 → 1 relay (changeover contacts) 1 Max 230 V AC, 6A (min. required switching capacity 300 mW) - (not for 2-wire)				
					<b>LCD</b> <b>E</b> → None 0 → 4-digits 1			
						<b>Step response time</b> <b>F</b> → 20 msec 20 → 30 msec 30 → 60 msec 60 → 120 msec 120 → 250 msec 250 → 500 msec 500 → 1 sec 1 → 2 sec 2 → 4 sec 4		
							<b>Pressure connections</b> <b>G</b> → tube fitting 4/6 S → push-in fittings 4 mm K4 → push-in fittings 6 mm K6	
								<b>Calibration certificate</b> <b>H</b> → None 0 → Factory calibration I → Calibration according to DKD-R 6-1 D

## CONTACT

**MESUREX**  
 13 Rue des Corroyés  
 78730 Saint Arnoult en Yvelines (France)

Tel : +33 (0) 1 30 41 23 62  
 Mail : [mesurex@mesurex.fr](mailto:mesurex@mesurex.fr)  
 Web : [www.mesurex.fr](http://www.mesurex.fr)