

FO A Series

Tension/compression load cell – pancake style

Ref : 3403

Rev : A



DESCRIPTION

This type of very high-capacity sensor is intended to be used in traction or compression (2.5KN full scale load at 5 MN.), specially developed for fatigue testing applications.

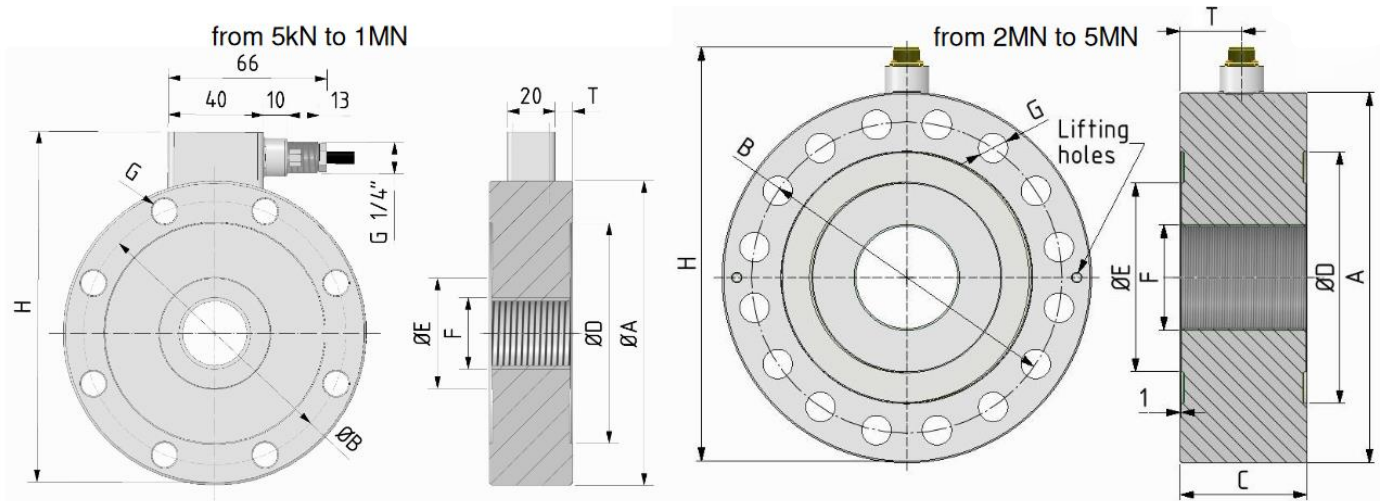
Its advantages are to ensure a low deformation and insensitivity to transverse forces.

Its IP 67 protection and stainless-steel body ensure great robustness.

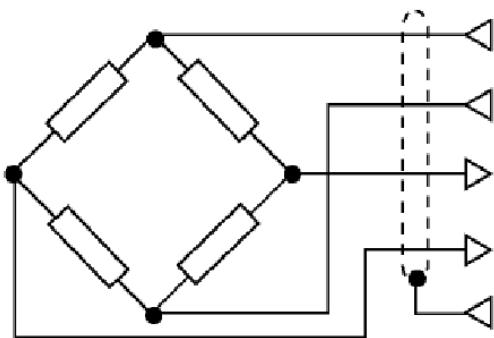
MESUREX is a sensor manufacturer. We can adapt most sensors to your needs. Please [contact us](#).

TECHNICAL CHARACTERISTICS

PARAMETERS	VALUES	NOTES
Voltage supply	1-15 Vcc 18V max	10V recommended
Operating temperature range	-10°C to 70°C	23°C reference
Storage temperature	-20°C to 80°C	
Compensated temperature	-10°C to 40°C	
Repeatability 0°-120°-240°	+/-0.145%	
Interpolation	+/-0.09%	
Reversibility	+/-0.24%	
Zero	+/-0.03%	
Linearity	+/-0.05%	
Hysteresis	+/-0.05%	
Precision	0.1%	
Input impedance	430 Ω +/- 20 Ω	
Output impedance	352 Ω +/- 2 Ω	
Signal at FSO	2 mV/V	
Exit	5m cable	
Calibration	Traction / compression	
Protection rating	IP 67	



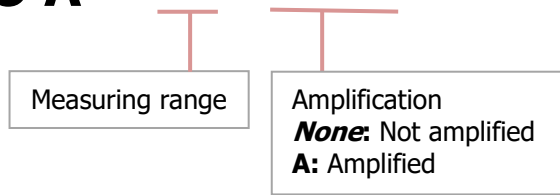
Capacity	ØA	B	C	ØD	ØE	F	G	H	T
2.5KN	100	86	35	72	32	M20 x 1.5	6 x Ø9	121	7.5
5KN	100	86	35	72	32	M20 x 1.5	6 x Ø9	121	7.5
10KN	100	86	35	72	32	M20 x 1.5	6 x Ø9	121	7.5
25KN	100	86	35	72	32	M20 x 1.5	6 x Ø9	121	7.5
50KN	100	86	35	72	32	M20 x 1.5	6 x Ø9	121	7.5
50KN	127	110	35	92	47	M30 x 2	8 x Ø10.5	149	7.5
100KN	127	110	35	92	47	M30 x 2	8 x Ø10.5	149	7.5
200KN	165	138	50	108	62	M42 x 3	12 x Ø17	188	15
300KN	165	138	50	108	62	M42 x 3	12 x Ø17	188	15
500KN	165	138	60	108	62	M42 x 3	12 x Ø17	188	20
750KN	230	185	80	145	98	M60 x 3	12 x Ø26	254	30
1MN	230	185	80	145	98	M60 x 3	12 x Ø26	254	30
2MN	300	250	100	198	132	M100 x 3	16 x Ø25	339	50
3MN	350	294	120	238	178	M100 x 3	16 x Ø28	389	60
5MN	350	294	130	238	178	M100 x 3	16 x Ø28	389	65



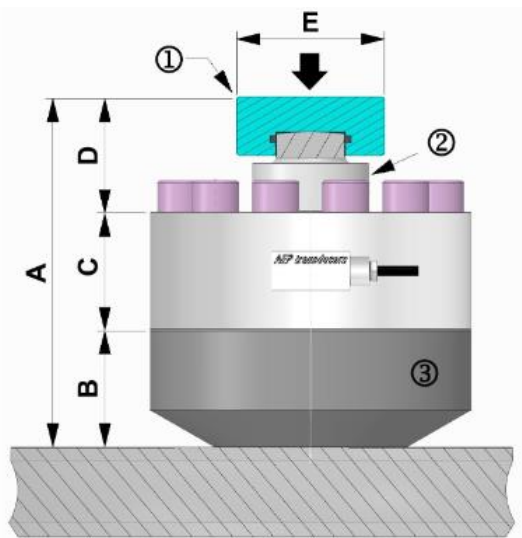
EXCITATION + Red
EXCITATION - Black
OUTPUT + White
OUTPUT - Yellow

ORDER INFORMATION

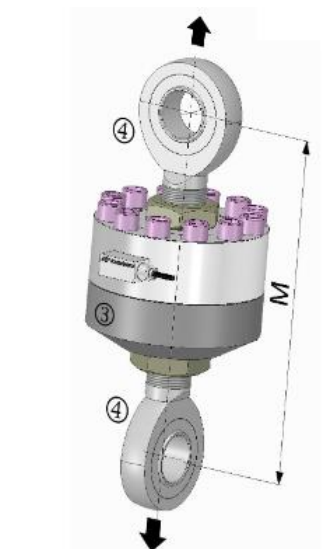
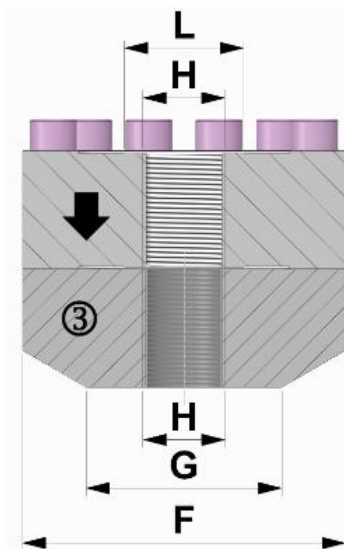
FO A



ACCESSORIES



(3) Mounting plate



(4) knuckle joints

Efforts	B	C	F	G	H	L	M
2.5KN...50KN	37	35	Ø100	Ø70	M20 x 1.5	Ø32	~170
50, 100KN	37	35	Ø127	Ø100	M30 x 2	Ø47	~200
200KN	60	50	Ø165	Ø100	M42 x 3	Ø62	~224
300KN	60	50	Ø165	Ø100	M42 x 3	Ø62	~465
500KN	60	60	Ø165	Ø100	M42 x 3	Ø62	~513
750KN, 1MN	85	80	Ø230	Ø180	M60 x 3	Ø98	
2MN	85	100	Ø300	Ø250	M100 x 3	Ø132	
3MN	120	120	Ø350	Ø330	M100 x 3	Ø178	
5MN	120	130	Ø350	Ø330	M100 x 3	Ø178	

CONTACT

MESUREX

13 Rue des Corroyés
 78730 Saint Arnoult en Yvelines (France)

Tel : +33 (0) 1 30 41 23 62

Fax : +33 (0) 1 30 41 23 80

Mail : mesurex@mesurex.fr