

# PM10C-Series

Miniature Pressure Sensor

Ref : 602

Rev : A



## DESCRIPTION

These miniature pressure sensors are designed to make static measurements of pressure as well as dynamic in corrosive condition. Realized entirely with stainless steel in a fully welded design, these levelling membrane sensors are compatible with a great number of corrosive or conducting fluids.

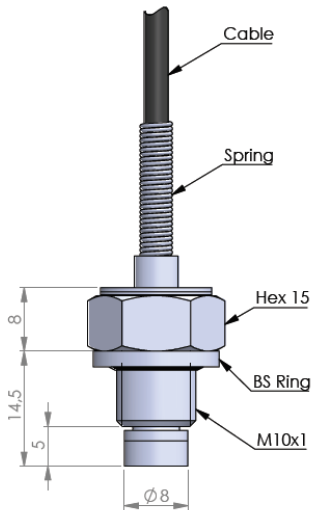
An integrated electronic makes it possible to deliver an analogical tension or current signal.

## TECHNICAL DATA

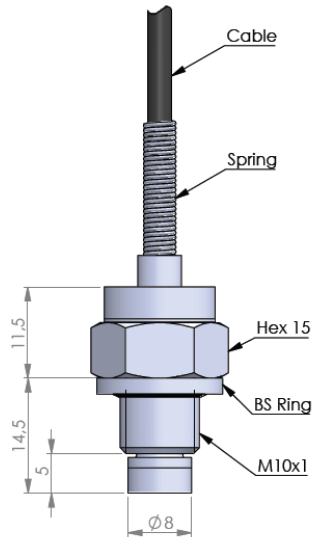
MODEL		Low level output - mV			Amplified output - 5V				Current output - mA		
<b>INPUT</b>	BAR	1	2	5	10	20	35	50	100	200	350
Pressure Range	PSI	15	30	75	150	300	500	750	1500	3000	5000
Pressure Type		Absolute (up to 50 BAR), Relative (up to 50 BAR), Sealed									
Over Pressure		2 Times Rated Pressure									
Burst Pressure		5 Times Rated Pressure (3 Times Rated Pressure at 350 BAR)									
Pressure Media		Any Liquid or Gas Compatible With 15-5 PH or Stainless Steel									
Electrical Input		500 – 1500 Ω			< 30 mA				< 30 mA		
Supply voltage		10 Vdc regulated			13 – 32 Vdc				10 – 26 Vdc		
<b>OUTPUT</b>		10 mV/V (5 mV/V at 1 BAR)			5 Vdc ± 150 mV				20 mA ± 0.4 mA		
Full Scale Output (FS)		500 – 800 Ω			1 kΩ				1 kΩ		
Output Impedance		± 1 mV/V			0 to 100 mV				4 mA ± 0.4 mA		
Zero offset at 20 °C		3 kHz									
Bandwidth (-3dB)		± 0.50% FS (Max)									
Combined Non-Linearity & Hysteresis		± 0.2% FS									
Repeatability		> 100 MΩ @ 50 Vdc									
Insulation		-40 °C to 120 °C			-40 to 80°C				-20 to 80°C		
Operating Temperatures		0 °C to 60 °C (see Options for other Compensated Temperatures)									
Compensated Temperatures		< ± 3% FS / 50 °C									
Thermal Zero Shift		< ± 2% FS / 50 °C									
Thermal Sensitivity Shift		30	30	35	50	69	79	109	154	218	288
Resonant frequency	kHz	4 Conductor 30 AWG Shielded Cable 2m long (see Options for other Cable Length)									
Electrical Connection		M10x1									
Mechanical Connection		IP50 (See Options for other Index of Protection)									
Index of Protection		Fully Active Four Arm Wheatstone Bridge Dielectrically Isolated Silicon on Silicon									
Pressure Sensing Principle		BS Ring Ø15.88mm x 2mm (-40°C to 135°C)									
Sealing		10 Nm Max									
Mounting Torque											

SIZE

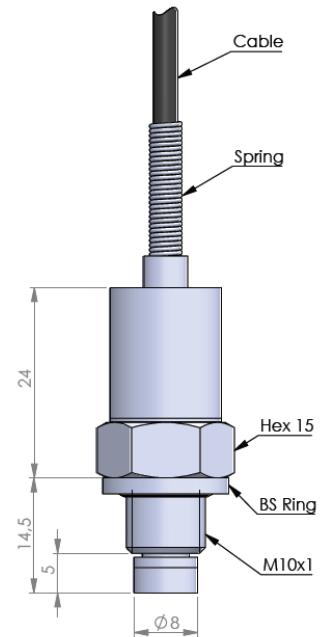
Low level output



Amplified output

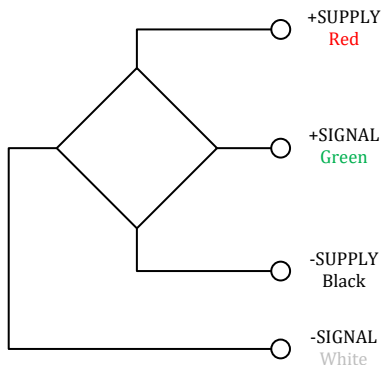


Current output

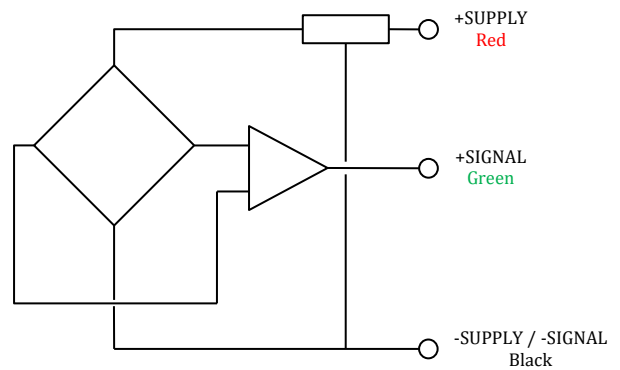


WIRING

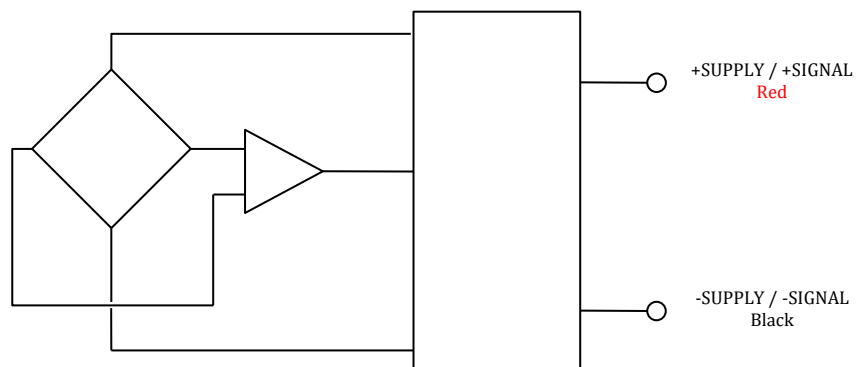
Low level output



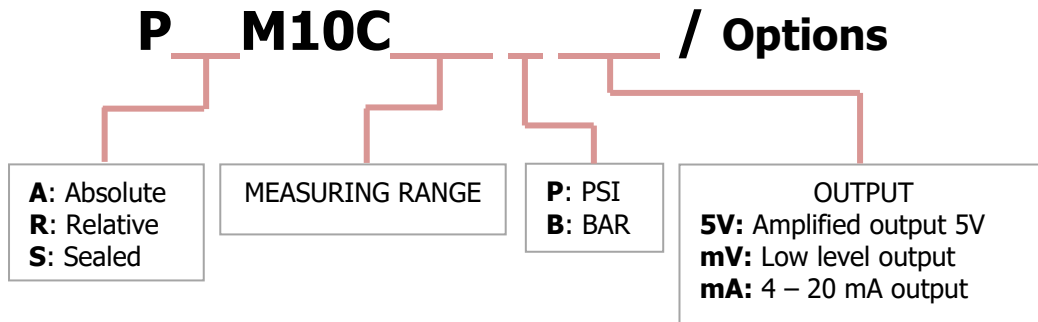
Amplified output



Current output



## ORDERING INFORMATION



- Options

OPTION	CODE	FEATURES
Cable Length	<b>LXXM</b> <b>LXXF</b>	Value (in meters <b>M</b> of feets <b>F</b> ) 2 meters standard
Compensated Temperature	<b>None</b> <b>C1</b> <b>C2</b>	0 °C to 60 °C (standard) -20 °C to 60 °C -40 °C to 120 °C (Low level output only) Other consult technician
Index of Protection	<b>None</b> <b>P67</b>	IP50 (standard) IP67 (only for absolute and sealed type)

Example: **PAM10C5KP5V/L5MC1P67**

- Absolute
- Pressure Range: 0 - 5000 PSI
- Output: 0-5V
- 5m cable output
- Compensated temperature: -20°C to 60°C
- Index of protection: IP67

## CONTACT

**G.R.D.I.A MESUREX**

13 Rue des Corroyés  
78730 Saint Arnoult en Yvelines

Tel : +33 (0) 1 30 41 23 62

Fax : +33 (0) 1 30 41 23 80

Mail : [measurex@measurex.fr](mailto:measurex@measurex.fr)