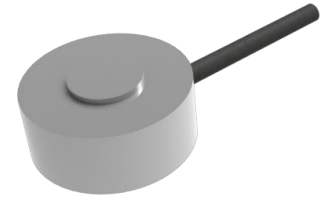


Série FC

Miniature force sensor compression

Réf : 3501

Rev : D



DESCRIPTION

This type of miniature sensor is intended for compression force measurements for both static and dynamic applications. It is available in stainless steel or aluminum. The sensing element is equipped with micro machined silicon strain gauges. This type of sensor is proposed washer load version with a diameter of 8 mm, ideally designed to measure the efforts of 10 to 100 N, so it is suitable for any application requiring a low profile sensor having reduced mass. Moreover MESUREX, offers a wide range of packaging and processing for power, signal amplification and display of the sensor, calibrated to provide a complete measurement chain.

MEASURING RANGE (EM)

Measuring Range (en N)	10	20	50	100
Admissible overload	2 x EM	2 x EM	2 x EM	2 x EM
Material	AU4G	AU4G	APX4	APX4

TECHNICAL DATAS

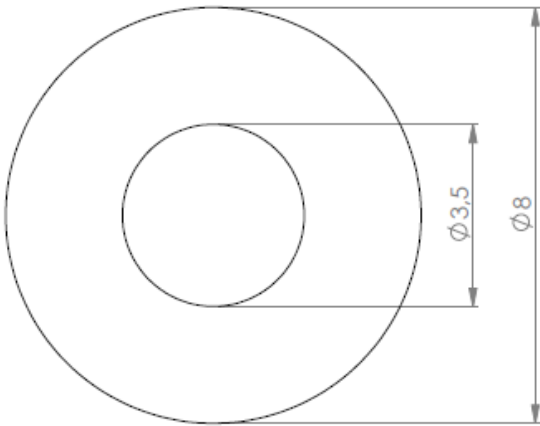
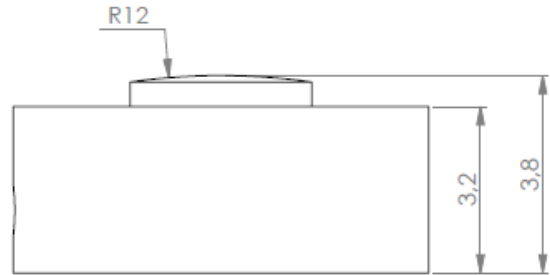
PARAMETRES	VALEURS	NOTES
Supply	10 Vdc	
Operating temperature	-40°C to 120°C	
temperature compensated	0°C to 60°C	
linearity	$\leq \pm 1\%$ of EM	
hysteresis	$\leq \pm 1\%$ of EM	
Zero drift	<2% of EM /60°C	In CTR
Sensitivity drift	<2% de la valeur lue /60°C	In CTR
Input Impedance	1K Ω to 3K Ω	
Output Impedance	500 Ω to 1K Ω	
Isolation	> 100M Ω sous 50 Vdc	
FS Output	100 mV	
Output Cable	2m standard	Lenght on demand
Calibration	Compression	
Conditioner or display	0-10V output and other standalone digital portable	

DIMENSIONS

FC--N-8



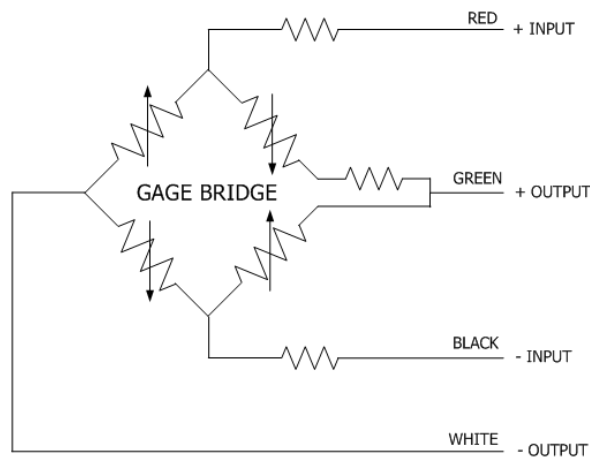
FC-N-8 H



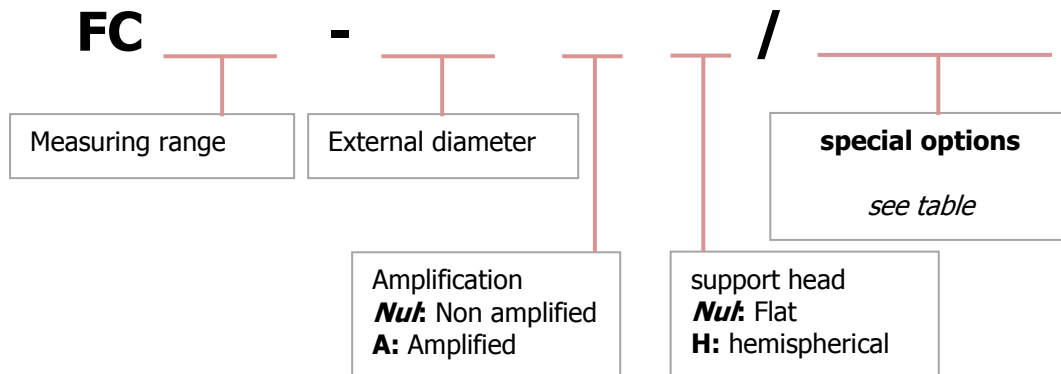
Measuring range	Material
10N à 20N	AU4G
50N à 100N	Z8CND17-4

PLAN WIRING

FC-N-8



ORDERING INFORMATION



- Options spéciales

OPTION		INDICATION
Longueur de câble	XXM	XX Longueur en mètres (M) 2m en standard
Compensation	Vide C1	0°C à 60°C (standard) -40°C à 40°C

Exemple: **FC100N-8/5M**

- Measuring range : 100 N
- External diameter : \varnothing 8
- Flat support head
- Cable length : 5 meters
- Compensation : 0°C to 60°C

Exemple: **FC20N-8 H/C1**

- Measuring range : 20N
- External diameter : \varnothing 8
- Hemispherical support head
- Cable length : 2 meters
- Compensation : -40°C to 40°C

CONTACT

G.R.D.I.A MESUREX

13 Rue des Corroyés
78730 Saint Arnoult en Yvelines

Tel : +33 (0) 1 30 41 23 62

Fax : +33 (0) 1 30 41 23 80

Mail : measurex@measurex.fr